



DOLMEN CABINET/CREDENZA

The executive cabinet and credenza module offers high storage capacity. The rounded sides are an aesthetic hallmark of these cabinets, allowing them, through this detail, to become an element with friendly shapes similar to the desk in the same program.



STANDARD FEATURES

- ▶ Height-adjustable interior shelves with 28 mm pitch.
- ▶ 20 mm furniture leveling.



OPTIONAL FEATURES

- ▶ Master lock on doors.

TECHNICAL SHEET



DESCRIPTION

ENCLOSURE

2 mm thick DC01 UNE-EN 10130 sheet metal shaped with a 40 mm radius on the rear corners.

These enclosures have welded metal inserts with M6 threads used to secure the enclosure to the furniture structure.

The entire set is painted with 60/80 micron epoxy powder paint, complying with current fire reaction regulations UNE 23827-90.

STRUCTURE

The cabinet interior, back, sides, and dividers are constructed in 19 mm thick wood particle board, glued with synthetic resins and specifically designed for applications requiring high resistance to bending, scratching, and staining, with an average density of 630 kg/m³ according to EN 14323 standard. Bilaminated finish with 1 mm ABS edging according to UNE 56.843:01: standard.

Fronts and doors have finish options in wood, HPL, LINOLEUM, and melamine in ≈20 mm thickness. The top is ≈26 mm thick in wood, HPL, LINOLEUM, and melamine finishes.

DOORS

Hinged doors with Push to Open system and soft-close hinges.

DRAWERS

Credenza models include, in their upper part, drawer modules with hidden ball-bearing sliding guides and metal sides. They feature full extension, a Soft-close system, and 3D front adjustment.

SHELVES

Constructed in 19 mm thick wood particle board, glued with synthetic resins and specifically designed for applications requiring high resistance to bending, scratching, and staining, with an average density of 630 kg/m³ according to EN 14323 standard.

Height-adjustable with a 28 mm pitch.

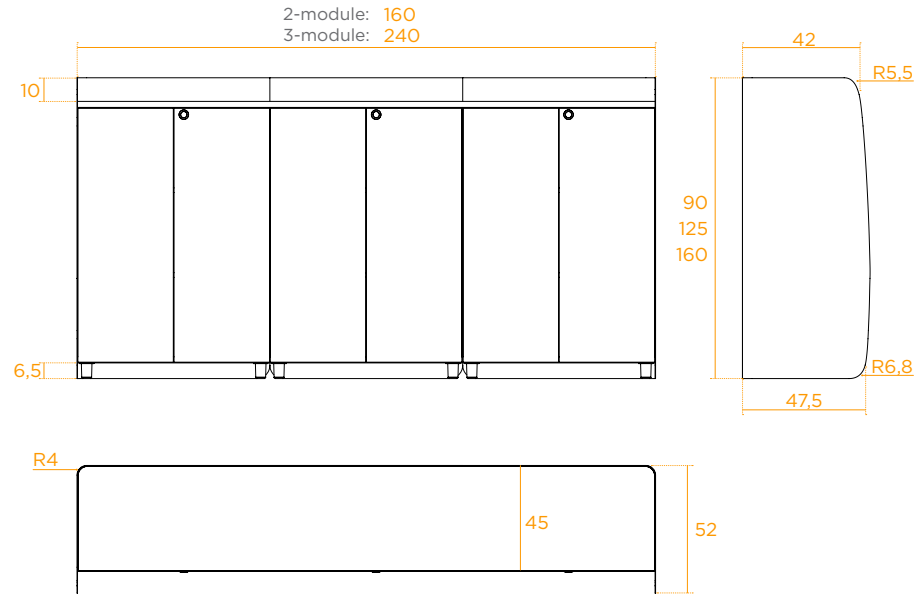
Shelf load resistance according to UNE EN 14073-3:05: 49 kg.



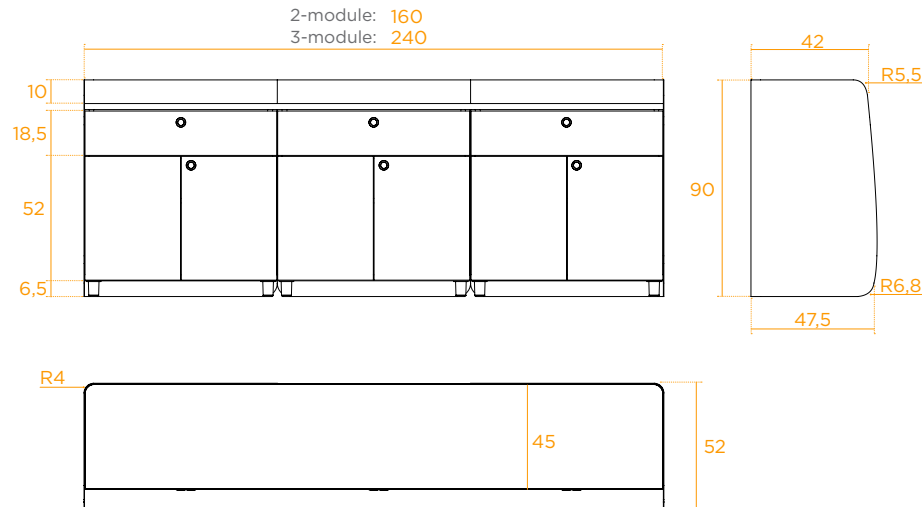
DOLMEN CABINET/CREDENZA

TECHNICAL SHEET

► CABINET

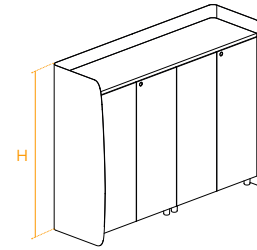


► CREDENZA



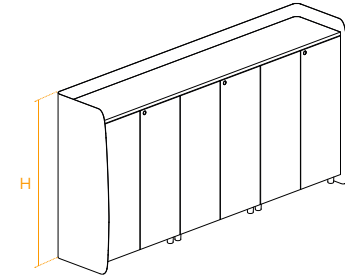
► RANGE

► 2-module Cabinet



	90	125	160
H	●	●	●

► 3-module Cabinet

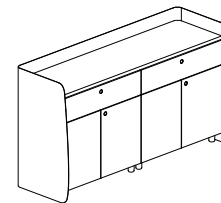


	90	125	160
H	●	●	●

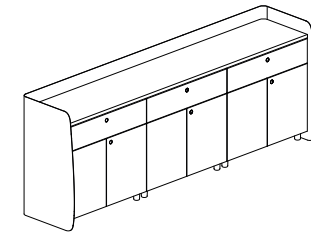
KEY

PRICE TERMS
● GENERAL

► 2-module Credenza



► 3-module Credenza



► RECYCLABILITY RATE



RECYCLED MATERIAL



RECYCLABLE